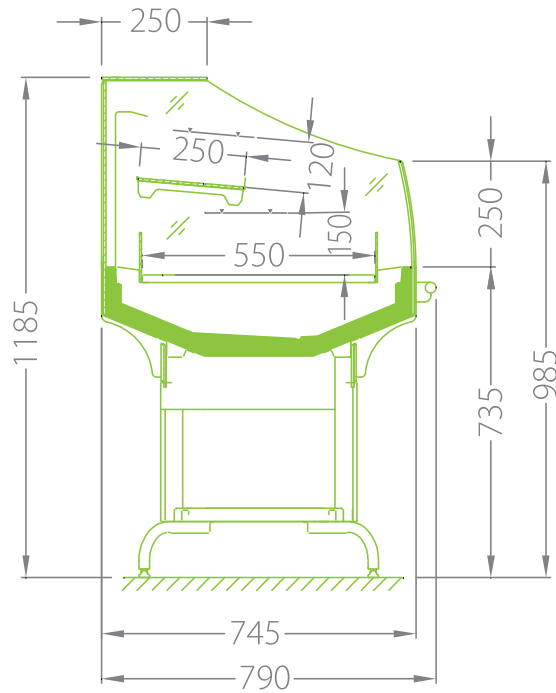


PROMOTION

Fidzi LDF-[module]-12

M2



COVERS AVAILABLE

LOW EMISSION GLASS

MAINTENANCE FREE CONDENSER AVAILABLE

modules 0.7 0.9



PLUG-IN Collection

JBG 2



MoreINFO